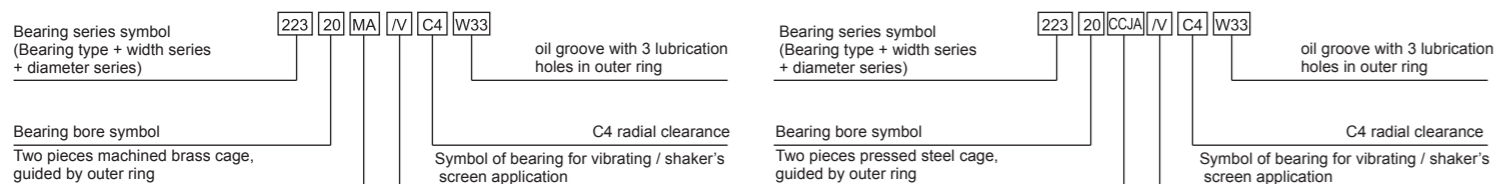


Bearings for Mining & Cement Solutions



www.ubc-bearing.com



QR code to visit UBC website

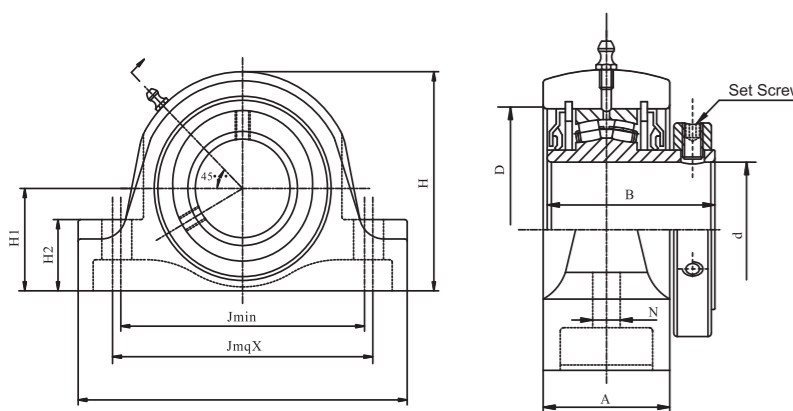
Bearings for Mining & Cement Solutions

www.ubc-bearing.com



Shaker Screen Bearings

Designation	Ref. Weight (kg)	d (mm)	tolerance (μm)	Basic dimensions				Radial Clearance (μm)	Basic load		Limiting speed	
				D (mm)	tolerance (μm)	B (mm)	Chamfer (μm) (mm)		Dynamic Cr(KN)	Static Cor(KN)	Grease	oil
22320MA/VC4W33	13.10	100	-20~0	215	-30~0	73	3.0	135~180	700	875	1700	2200
22322MA/VC4W33	18.10	110	-20~0	240	-30~0	80	3.0	160~210	825	1040	1500	1900
22324MA/VC4W33	22.60	120	-20~0	260	-35~0	86	3.0	160~210	897	1130	1300	1800
22326MA/VC4W33	28.40	130	-25~0	280	-35~0	93	4.0	190~240	1050	1340	1200	1700
22328MA/VC4W33	35.90	140	-25~0	300	-35~0	102	4.0	190~240	1110	1520	1100	1400
22330MA/VC4W33	43.30	150	-25~0	320	-40~0	108	4.0	220~280	1270	1740	1000	1400
22332MA/VC4W33	51.40	160	-25~0	340	-40~0	114	4.0	220~280	1400	1950	1000	1400
22334MA/VC4W33	60.60	170	-25~0	360	-40~0	120	4.0	240~310	1550	2200	900	1200
22336MA/VC4W33	70.50	180	-25~0	380	-40~0	126	4.0	240~310	1710	2400	850	1100
22338MA/VC4W33	81.80	190	-30~0	400	-40~0	132	5.0	260~340	1870	2670	850	1100
22340MA/VC4W33	93.70	200	-30~0	420	-45~0	138	5.0	260~340	2080	3000	800	1000
22344MA/VC4W33	119.0	220	-30~0	460	-45~0	145	5.0	290~380	2430	3600	700	900
NU2312EM/C9+HJ2312E	3.40	60	-15~0	130	-18~0	46	2.1	According to customer's request	222	262	4200	4800
NU2316EM/C9+HJ2312E	6.92	80	-15~0	170	-25~0	58	2.1	According to customer's request	355	430	3200	3800
NU2330EM/C9+HJ2330E	49.10	150	-25~0	320	-40~0	108	4.0	According to customer's request	1160	1600	1600	1900



SRP 2211-35 Spherical Roller Bearing-Collar Mounted Bearing bore dimension

SRP Series Unit Bearings

Designation	Ref. Weight (kg)	d (mm)	tolerance (μm)	Basic dimensions					Radial Clearance (μm)	Basic load	
				D (mm)	DH1 (mm)	B (mm)	Chamfer (μm)	Dynamic Cr(KN)		Static Cor(KN)	
SRP2211-35	5.44	55.56	0~+0.025	100	63.5	79.38	1.5	0.040~0.065	5.0	126	
SRP2213-39	8.16	61.91	0~+0.025	120	69.8	85.73	1.5	0.040~0.065	7.5	190	
SRP2215-47	11.47	74.61	0~+0.035	130	82.6	92.08	1.5	0.050~0.080	10.0	225	
SRP2218-55	14.97	87.31	0~+0.035	160	95.2	102.40	2.0	0.060~0.100	15.0	364	
SRP2220-63	21.77	100.01	0~+0.035	180	104.8	116.70	2.1	0.075~0.120	20.0	436	



An **IKO** Company
UBC Precision Bearing Mfg. Co.,Ltd.
 Suite 1703, Zhongrong Plaza, 1088 South Pudong Road, Pudong New District, Shanghai
 TEL: +86-21-64904536
 FAX: +86-21-68781355
 Email: export@ubc-bearing.com

China factory and Technology Center
UBC (Suzhou) Bearing Co.,Ltd.
 1083 Southeast Avenue, Changshu National New & Hi-tech Industrial Development Zone, Changshu City, Jiangsu Province, China



An **IKO** Company

Our Bearings, Your Solutions

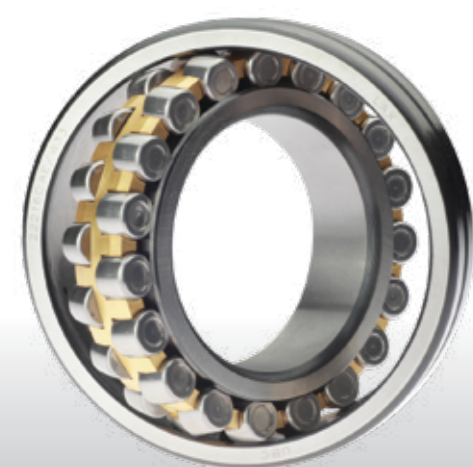


With our rich knowledge and experience in coal mine machinery and cement equipment, we have developed a series of high performance and long life bearings.

From mining equipment to crushing and milling equipment to screening and transportation equipment, UBC bearings have satisfied end users with reduced maintenance and down time and in turn reduced their maintenance costs and increased production output, thanks to UBC's continuous R&D in optimizing bearing internal design and exploring better raw materials to make sure UBC bearings reach longer bearing life under harsh and challenging working conditions.



Bearings for Mining & Cement Solutions



- Self-aligning function, can withstand big radial load and axial load simultaneously;
- Optimized internal geometrical design, good for rollers guiding to reduce friction;
- High consistency of the dimensions and shapes in all rollers inside each bearing, can optimize loads distribution on each roller, in turn to maximize bearing life.

Spherical Roller Bearings

- High speed, high load capacity;
- Optimized rib design to reduce friction, good for lubrication;
- Logarithmic curve design on rollers and raceway, to avoid stress concentration.

Cylindrical Roller Bearings



UBC Bearings for Vibrating / Shaker's Screen

Tough jobs need tough machines

Bearings for vibrating / Shaker's screen are mainly used in vibration equipment in mining, shaker's screen machinery, vibration motor, in which, bearings are always one of the most critical parts.

Bearings' working conditions in such applications is typically quite severe: environmental humidity, dusts, high speed, high temperature, big impact loads and shock loads.

UBC bearings for vibrating / shaker's screen, features big load capacity, good resistance to impact loads and shock loads, high reliability, good lubrication performance, and can avoid bearing's deflection and deformation.

- V - For vibrating / shaker's screen application
- MA – Two pieces machined brass cage, guided by outer ring
- CCJA – Two pieces pressed steel cage, guided by outer ring
- C4 - C4 radial clearance
- K - Tapered bore, taper 1:12
- K30 - Tapered bore, taper 1:30

Bearings for Mining & Cement Solutions



- Can withstand big radial load and axial load;
- Logarithmic curve design on rollers and raceway, improved bearing load capacity and minimized stress concentration;
- Both metric sizes and inch sizes are available.

Tapered Roller Bearings

- Easy installation
- With high reliability and durability
- With double-lip seal design to keep good sealing performance and lubricant amount.

Plummer Blocks



UBC Spherical Roller Bearings-Collar Mounted - SRP Series

This compact bearing unit is a heavyweight

UBC's SRP Solid Housing roller bearing units are assembled with bearing housings especially designed to withstand heavy loads in rugged applications and operating conditions. Together with UBC extra-wide inner race, double-row spherical roller bearings, they utilize state-of-the-art friction reduction technology to provide you with easy-to-mount bearing units with the same high operational reliability you can expect from UBC Bearings.

1. Extra-high load capacity: UBC spherical roller bearings assures carrying extra heavy loads;
2. Easy-to-mount Design: Convenient installation with specially designed extra-wide inner race and a concentric collar, with setscrew;
3. Self-aligning: Shaft alignments with a scope of up to $\pm 1\ 1/2^\circ$;
4. Extended width on the shaft: UBC bearing inserts can have an axial extension of up to 1.6mm in the housing unit;
5. Low Maintenance: Dustproof, with tri-lips seals that prevent grease leakage;
6. Relube: SRP units are easily re-lubricated through the use of a grease pistol;
7. Available in two types: Fixed (non-expansion) and Floating (expansion) unit. If Fixed type is required, a suffix H is attached.

